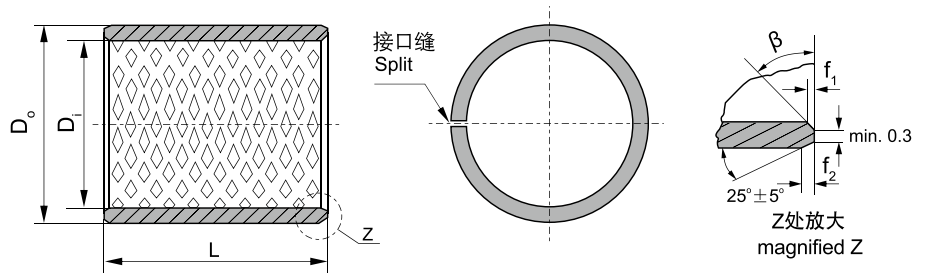


FB 系列青铜卷制轴套
FB Bronze Wrapped Bushing

www.st-bearing.com



内外倒角 ID and OD chamfers

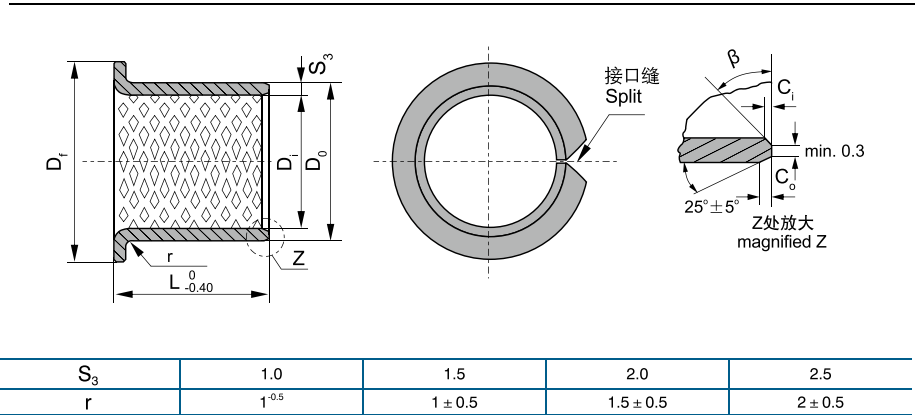
S ₃	f ₁	f ₂	β
0.75	0.5 ± 0.3	0.25 ± 0.2	35° ± 5°
1.00	0.6 ± 0.3	0.30 ± 0.2	35° ± 5°
1.50	0.7 ± 0.3	0.50 ± 0.3	35° ± 5°

S ₃	f ₁	f ₂	β
2.00	1.2 ± 0.4	0.50 ± 0.3	35° ± 5°
2.50	1.8 ± 0.6	0.60 ± 0.3	45° ± 5°

外径 D	座孔 Housing Bore (H7)	压入座孔后的 内径 I.D. after fixed	壁厚 Wall Thickness	轴径 Shaft Dia. f7	L															
					10	15	20	25	30	35	40	50	60	70	80	90	100			
12	+0.065 +0.030	12+0.018	10	+0.043 0	10	●	●	●												
14	+0.065 +0.030	14+0.018	12	+0.043 0	12	●	●	●												
16	+0.065 +0.030	16+0.018	14	+0.043 0	14	●	●	●	●											
17	+0.065 +0.030	17+0.018	15	+0.043 0	15	●	●	●	●											
18	+0.065 +0.030	18+0.018	16	+0.043 0	16	●	●	●	●											
20	+0.065 +0.030	20+0.021	18	+0.043 0	18	●	●	●	●											
23	+0.075 +0.035	23+0.021	20	+0.052 0	20	●	●	●	●											
25	+0.075 +0.035	25+0.021	22	+0.052 0	22	●	●	●	●											
27	+0.075 +0.035	27+0.021	24	+0.052 0	24		●	●	●	●										
28	+0.075 +0.035	28+0.021	25	+0.052 0	25		●	●	●	●										
32	+0.075 +0.035	32+0.021	28	+0.052 0	28		●	●	●	●										
34	+0.075 +0.035	34+0.025	30	+0.052 0	30		●	●	●	●	●									
36	+0.085 +0.045	36+0.025	32	+0.062 0	32		●	●	●	●	●	●								
39	+0.085 +0.045	39+0.025	35	+0.062 0	35		●	●	●	●	●	●								
44	+0.085 +0.045	44+0.025	40	+0.062 0	40			●	●	●	●	●	●							
50	+0.085 +0.045	50+0.025	45	+0.062 0	45			●	●	●	●	●	●							
55	+0.085 +0.045	55+0.025	50	+0.062 0	50			●	●	●	●	●	●	●						
60	+0.100 +0.055	60+0.025	55	+0.074 0	55			●	●	●	●	●	●	●						
65	+0.100 +0.055	65+0.030	60	+0.074 0	60			●	●	●	●	●	●	●	●					
70	+0.100 +0.055	70+0.030	65	+0.074 0	65			●	●	●	●	●	●	●	●					
75	+0.100 +0.055	75+0.030	70	+0.074 0	70			●	●	●	●	●	●	●	●	●				
80	+0.100 +0.055	80+0.030	75	+0.074 0	75			●	●	●	●	●	●	●	●	●				
85	+0.100 +0.055	85+0.030	80	+0.074 0	80			●	●	●	●	●	●	●	●	●				
90	+0.120 +0.070	90+0.035	85	+0.087 0	85			●	●	●	●	●	●	●	●	●	●			
95	+0.120 +0.070	95+0.035	90	+0.087 0	90			●	●	●	●	●	●	●	●	●	●	●		
100	+0.120 +0.070	100+0.035	95	+0.087 0	95			●	●	●	●	●	●	●	●	●	●	●	●	
105	+0.120 +0.070	105+0.035	100	+0.087 0	100			●	●	●	●	●	●	●	●	●	●	●	●	●
110	+0.120 +0.070	110+0.035	105	+0.087 0	105			●	●	●	●	●	●	●	●	●	●	●	●	●
115	+0.120 +0.070	115+0.035	110	+0.087 0	110			●	●	●	●	●	●	●	●	●	●	●	●	●
120	+0.120 +0.070	120+0.035	115	+0.087 0	115			●	●	●	●	●	●	●	●	●	●	●	●	●
125	+0.120 +0.070	125+0.035	120	+0.087 0	120			●	●	●	●	●	●	●	●	●	●	●	●	●
130	+0.170 +0.100	130+0.040	125	+0.100 0	125			●	●	●	●	●	●	●	●	●	●	●	●	●
135	+0.170 +0.100	135+0.040	130	+0.100 0	130			●	●	●	●	●	●	●	●	●	●	●	●	●
140	+0.170 +0.100	140+0.040	135	+0.100 0	135			●	●	●	●	●	●	●	●	●	●	●	●	●
145	+0.170 +0.100	145+0.040	140	+0.100 0	140			●	●	●	●	●	●	●	●	●	●	●	●	●
150	+0.170 +0.100	150+0.040	145	+0.100 0	145			●	●	●	●	●	●	●	●	●	●	●	●	●
155	+0.170 +0.100	155+0.040	150	+0.100 0	150			●	●	●	●	●	●	●	●	●	●	●	●	●
160	+0.170 +0.100	160+0.040	155	+0.100 0	155			●	●	●	●	●	●	●	●	●	●	●	●	●

FB 青铜翻边轴套 FB Bronze Flange Bushing

www.st-bearing.com



内径 D_1 ϕd	外径 D_0 ϕD	法兰外径 D_{fl}	长度 L ⁰ _{-0.40}											
			15	20	25	30	35	40	50	60	70	80	90	
25	28	35	25150	25200	25250									
30	34	45		30200	30250	30300								
35	39	50		35200	35250	35300	35350							
40	44	55			40250	40300	40350	40400						
45	50	60				45300	45350	45400	45500					
50	55	65				50300	50350	50400	50500					
55	60	70				55300	55350	55400	55500					
60	65	75				60300	60350	60400	60500	60600				
65	70	80				65300	65350	65400	65500	65600				
70	75	85					70350	70400	70500	70600	70700			
75	80	90					75350	75400	75500	75600	75700			
80	85	100					80350	80400	80500	80600	80700	80800		
90	95	110							90500	90600	90700	90800	90900	
100	105	120							100500	100600	100700	100800	100900	
110	115	130							110500	110600	110700	110800	110900	
120	125	140							120500	120600	120700	120800	120900	
130	135	155								130600	130700	130800	130900	
140	145	165								140600	140700	140800	140900	
150	155	180								150600	150700	150800	150900	
160	165	190								160600	160700	160800	160900	
170	175	200								170600	170700	170800	170900	
180	185	215								180600	180700	180800	180900	
190	195	225								190600	190700	190800	190900	
200	205	235								200600	200700	200800	200900	
225	230	260								225600	225700	225800	225900	
250	255	290								250600	250700	250800	250900	
265	270	305								265600	265700	265800	265900	
285	290	325								285600	285700	285800	285900	
300	305	340								300600	300700	300800	300900	